



Alberta Construction
Safety Association

Exhibitor Booking Form

2017 NCSO Professional Development Conference

Connect. Communicate. Collaborate.

March 9 & 10 at the Edmonton Marriott, River Cree Resort

Your business will have the unique opportunity to showcase its services and products across two days to a targeted group of over 300 safety leaders and workers in the construction industry of Alberta.

The NCSO Professional Development Conference is the premier annual event for all National Construction Safety Officer's (NCSO) and Health & Safety Administrator's (HSA) in Alberta.

Hosted by the Alberta Construction Safety Association (ACSA), it provides a unique networking opportunity for over 300 delegates across two big days, and also provides a valuable chance for safety professionals to learn how to build on their important role of upholding the values and practices of safety in the construction industry.

2017 will mark the 25th anniversary of the Conference, making this event one that's not to be missed.

Benefits for You

For just \$200 (excluding tax) your organization will receive great value and benefit from this small investment.

The table-top tradeshow will be set up in the main lobby area of the conference, where delegates will gather for breakfast, lunch and coffee breaks during both days of the event.

This high-traffic hub of excitement and activity is the perfect environment for your company to raise its profile and brand awareness by connecting directly with this target audience.

We have 23 strategically placed trade show places available. Each place comes with:

- 6 ft (l) x 2 ft (w) clothed table (due to space constraints, no custom booths are allowed)
- 1 chair
- Power outlet and extension cord
- Wireless internet available at the hotel

Each exhibiting company will also receive one (1) complimentary registration to the conference including all meals.

Your company logo and name will also feature in the conference program and on the ACSA website, with a link to your corporate website.

Trade Show Booking Form

Cost per table for two days: \$200 (excl. tax)

COMPANY NAME:

KEY CONTACT:

ADDRESS:

PHONE:

EMAIL:

Please select the booth number you'd like to book (please note booths are subject to availability).

BOOTH #:

PAYMENT:

CREDIT CARD: VISA MASTERCARD AMEX

CARD #: EXPIRY: CVD:

CHEQUE:

Please make payable to the Alberta Construction Safety Association

Mail to:

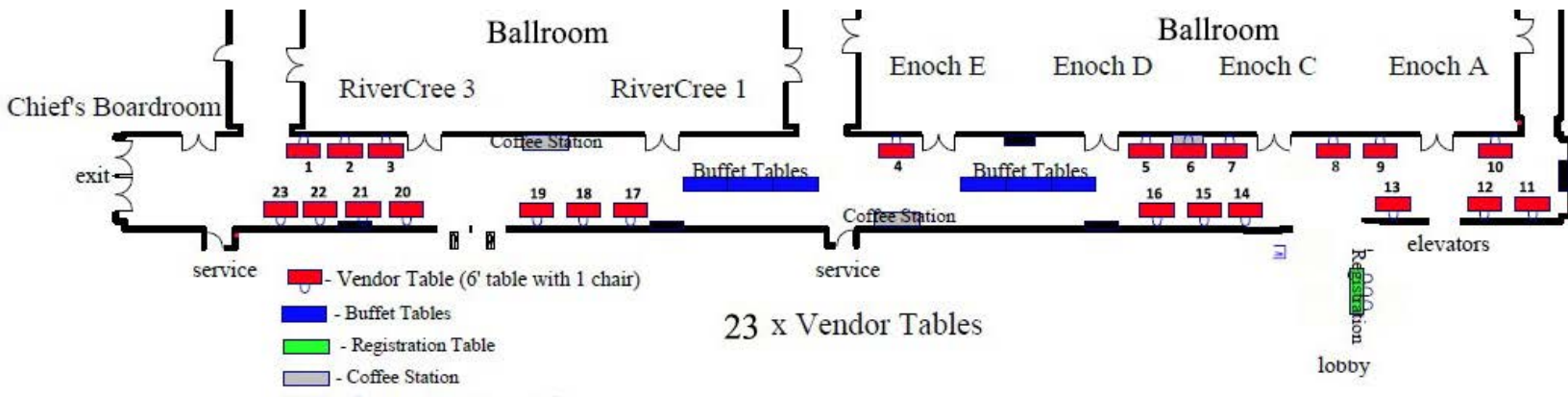
ACSA Head Office
225 Parsons Road SW
Edmonton, AB T6X 0W6

EFT:

Vendor Name: Alberta Construction Safety Association

NOTE: NCSO CONFERENCE TRADESHOW
VENDOR BANK NAME: ATB Financial
BANK INSTITUTION: 219 TRANSIT: 07259 ACCOUNT: 1186426-24
BANK ADDRESS: 11366-104 Avenue, Edmonton, AB T5K 2W9
Email a remittance to: accounting@youracsa.ca

Thank-you for supporting the 2017 NCSO Professional Development Conference. Please email this completed form to marketing@youracsa.ca.



Terms & Conditions

1. Your tradeshow table will be allocated only on receipt of a signed Booking Form and Booking Terms & Conditions.
2. Written confirmation will also be provided to confirm the booking, together with an invoice for the required full payment. Full payment is due within 30 days of the date of the invoice.
3. All monies due and payable must be received (and cheques cleared) by the ACSA within 30 days of the invoice date or prior to the event, whichever occurs soonest.
4. No company will be listed as an exhibitor in any official material until full payment and a booking form has been received.
5. CANCELLATION POLICY: In the event of cancellation, a service fee of 25% of total fees applies for cancellations prior to February 15, 2017. No refunds will be made for cancellations after this date.

Yes, I have read and agreed to the conditions of the sale above.

Name:

Job Title:

Company:

Signature:

Date: